

Vavano Island

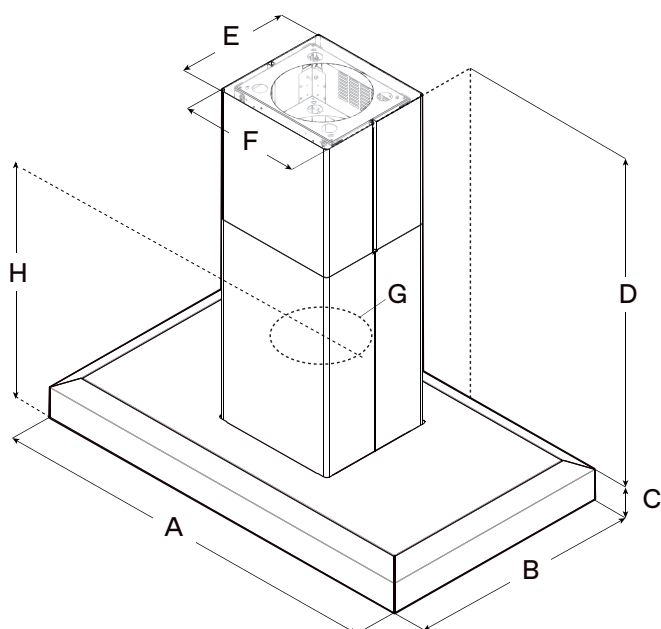
Specification sheet

Island hood



Learn more

MEASUREMENTS



	EVI642S1	EVI648S1
A	42" (106.7 cm)	48" (121.9 cm)
B	24" (61 cm)	
C	5" (12.8 cm)	
D	Max: 51" (129.4 cm) Min: 30" (76.2 cm)	
E	12" (30.5 cm)	
F	13" (33.2 cm)	
G	6" (15.2 cm)	
H	20 ⁹ / ₁₆ " (52.6 cm)	

DESCRIPTION

Designed to be suspended above a kitchen island, Vavano's crisp lines, beveled rim and gleaming stainless steel deliver professional cooking with a sense of style. Give your kitchen a splash of Italian design with a box style island hood that has the extra depth and power required to support professional ranges and cooktops.

Available in 42" and 48" widths, Vavano Island comes equipped with a powerful 600 CFM internal blower and backlit hidden metallic in/out knobs, which operate the 4 speed blower and LED lighting.



FEATURES

- Hush system
- Heat guard
- Professional performance
- Grease collectors
- Seamless look



GENERAL PROPERTIES

Width	42"	48"
Model	EVI642S1	EVI648S1
Dimensions	42"Wx24"Dx min:30" max:51"H	48"Wx24"Dx min:30" max:51"H
Blower Type ¹ (Internal)	600 CFM (4-speed)	
Noise (Min-max sones) ¹	1.7-7.0 Sones	
Electrical	120V-60Hz, 480W	
Illumination	4 LED Lights, 6.5W, 3000K, 540 Lumen/Lamp	
Finish	Stainless Steel	
Controls	Fully Retractable Rotating Knobs with Blue backlighting	
Grease filters	Dishwasher-Safe, Professional Stainless Steel Baffle	
Installation type	Ducted Installation Only	
Telescopic Chimney	Can reach ceiling heights 7'6"-10'1" (cover electric cooking) 8'0"-10'1" (cover gas cooking)	
Duct transition	6" round with backdraft damper (top only)	

KITS

Long Chimney Ext 12"	KIT0145610 (Can reach up to 13'0")
Inline blower	KIT0154387 (1200 CFM blower, 8" or 10" compatible)
External Blower	KIT0153054 (1200 CFM blower, 8" or 10" compatible)
Electronic CFM Reduction Bypass	KIT0185752 (Achieves <300 CFM for 600 CFM Blower)

WARRANTY:² Two (2) Years Parts & In-Home Labor. Earn an additional One (1) Year of Parts & In-Home Labor by registering on elica.com



The product images shown are for illustration purposes only and may not be an exact representation of the product.
¹ CFM and Noise data indicate the performance of the hood blower tested according to international standards. For AHAM Certified Ratings, established in accordance with California Title 24 Standardized test procedure, please refer to AHAM Certified Product Directory. Electric Ratings are declared according to UL.

² For valid warranty extension, register within 3 months from purchase. For USA & Canada Users Only.